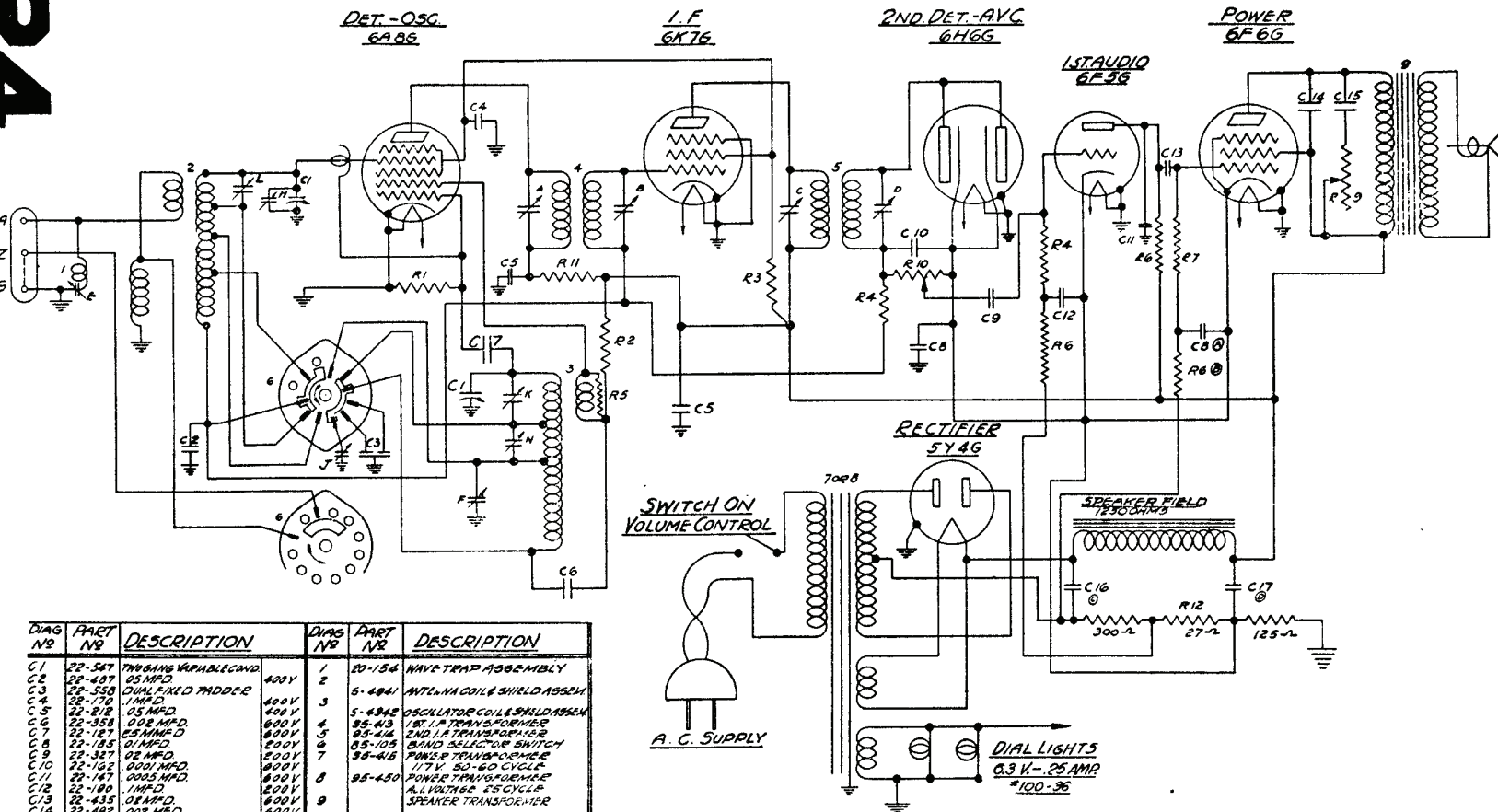


Models 6-S-203, 6-S-222, 6-S-223, 6-S-229, 6-S-239, 6-S-241 (5638 Chassis)



DIAG. NO.	PART NO.	DESCRIPTION	DIAG. NO.	PART NO.	DESCRIPTION
C1	22-547	TUNING VARIABLE CAP.	1	20-154	WAVE TRAP ASSEMBLY
C2	22-487	0.5 MFD.	2	5-4841	ANTENNA COIL SHIELD ASSEMBLY
C3	22-550	DUAL FIXED PADDER	3	5-4842	OSCILLATOR COIL & SHIELD ASSEMBLY
C4	22-770	1 MFD.	4	35-43	1ST I.F. TRANSFORMER
C5	22-212	0.5 MFD.	5	35-44	2ND I.F. TRANSFORMER
C6	22-558	0.02 MFD.	6	35-105	BAND SELECTOR SWITCH
C7	22-187	0.1 MFD.	7	35-418	POWER TRANSFORMER
C8	22-185	0.1 MFD.	8	35-430	POWER TRANSFORMER
C9	22-327	0.2 MFD.	9	35-430	A.L. VOLTAGE 25 CYCLE SPEAKER TRANSFORMER
C10	22-162	0.001 MFD.			
C11	22-147	0.005 MFD.			
C12	22-180	1 MFD.			
C13	22-435	0.2 MFD.			
C14	22-482	0.02 MFD.			
C15	22-171	0.5 MFD.			
C16	22-596	8 MFD DRY ELECTROLYTIC			
C17	22-596	16 MFD DRY ELECTROLYTIC			
R-1	63-593	47 M OHMS	A		VARIABLE TRIMMERS
R-2	63-680	1.0 M OHMS	B		1ST I.F. TRANS. PRIMARY
R-3	63-677	33 M OHMS	C		1ST I.F. TRANS. SECONDARY
R-4	63-271	1.0 M OHMS	D		2ND I.F. TRANS. PRIMARY
R-5	63-597	4700 OHMS	E		2ND I.F. TRANS. SECONDARY
R-6	63-596	22.0 M OHMS	F		WAVE TRAP
R-7	63-597	47.0 M OHMS	G		BROADCAST OSCILLATOR (SEE NOTE)
R-9	63-581	50 M OHMS TONE CONTR.	H	22-519	ANT. BROADCAST-OVSOUND BROADCAST PADDER
R-10	63-520	100 M OHMS VOLUME CONTR.	I	22-305	SHORT WAVE OSCILLATOR (SEE NOTE)
R-11	63-605	1000 OHMS	L		SHORT WAVE DETECTOR
R-12	63-619	3 SECTION GANDOLPH	N		PULSE BAND OSCILLATOR (SEE NOTE)

I.F. FREQUENCY 450 K.C.  
 6 TUBE SUPERHETERODYNE - 3 BANDS  
 CHASSIS NO 5638

ZENITH RADIO CORPORATION